

EY02103 – Outdoor Active World Unit

What's in the box:

Set 1 (small)

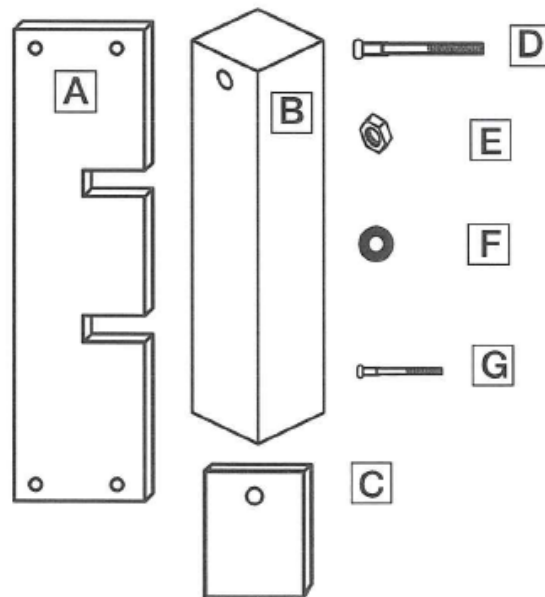
- A** 4 slotted pieces
- B** 4 small legs
- C** 4 brackets
- D** 8 bolts
- E** 8 nuts
- F** 8 washers
- G** 10 bracket screws

Set 2 (medium)

- A** 8 slotted pieces
- B** 4 medium legs
- C** 4 brackets
- D** 16 bolts
- E** 16 nuts
- F** 16 washers
- G** 10 bracket screws

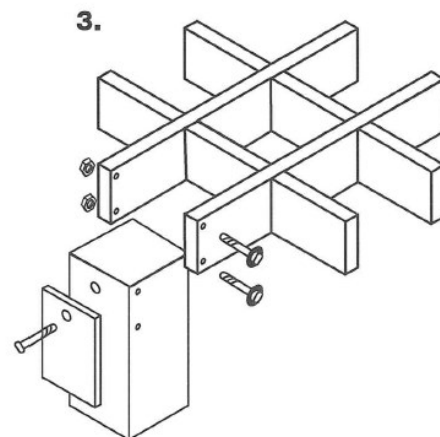
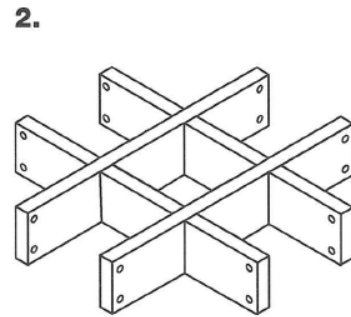
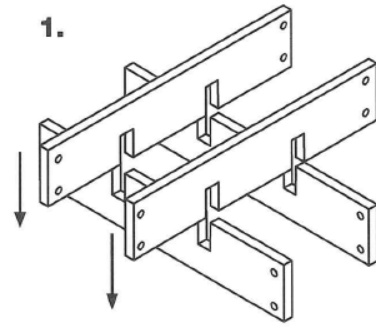
Set 3 (large)

- A** 8 slotted pieces
- B** 4 large legs
- C** 4 brackets
- D** 16 bolts
- E** 16 nuts
- F** 16 washers
- G** 10 bracket screws



Assembly instructions:

1. Lay 2 slotted pieces parallel on a level surface with the slots facing upwards.
2. Place 2 more slotted pieces across the previous 2 pieces with the slots facing downwards.
3. Align the slots so that they slide into each other. (See diagram 1.)
4. Diagram 2 shows how they look joined together.
5. Place a leg with the bracket at the top and towards the outside in between a pair of the slotted timbers where you see the holes at the top. This will be the top section. (See diagram 3.)
6. Insert a bolt through each of the 2 holes.
7. Put a washer and nut on each bolt and finger tighten.
8. Work around the "cross" section bolting all of the legs in place.
9. Repeat steps 1 to 3 for the bottom "cross" section.
10. Stand previously assembled section above the bottom cross section with the legs once again in between the slotted pieces.
11. Align bolt holes again and insert bolts, washers and nuts as before. This will be the bottom section.
12. Tighten all the nuts using a 13mm spanner.

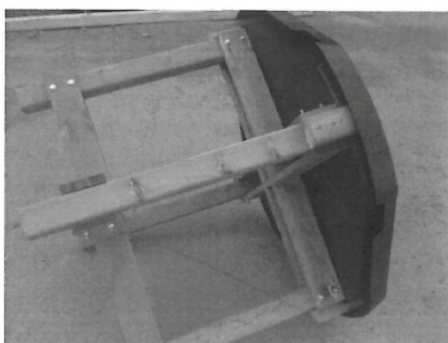


* Please be aware the timber in this product is pressure treated for protection against weather conditions, however after care is still recommended.



Instructions for assembling the Tuff-Spot tray to the stand:

- 1** Position the plastic top onto the base so that the 4 holes are above the brackets on the legs.
- 2** Insert the screws through the washers, then through the holes in the plastic top and tighten using a pozidrive#2 screwdriver.



Underneath view



Side view