

WHAT DID YOU LEARN TODAY?



FAN BOAT WORKBOOK

Name:

DESIGN CRITERIA

My boat must do these things:

WHAT DOES STEM STAND FOR?

S
T
E
M

I'd like my boat to do these things:

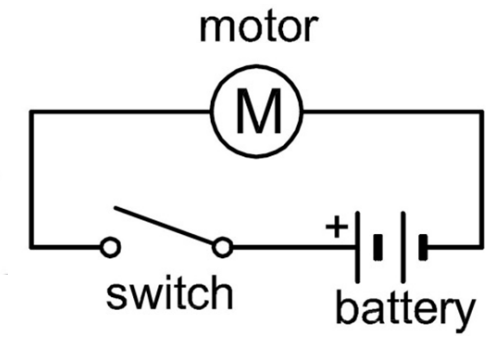
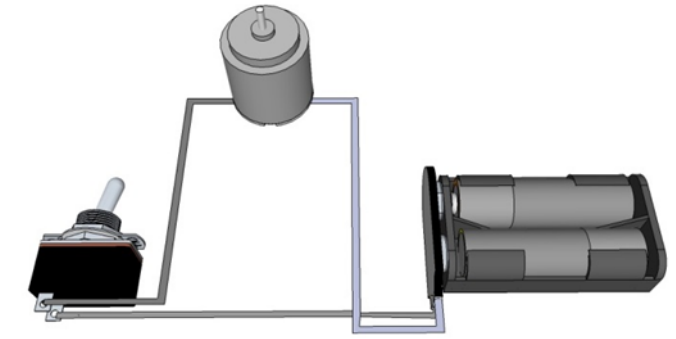
WHAT DID YOU ENJOY MOST ABOUT THE ACTIVITY?

MY BOAT DESIGN

MAKE AND TEST YOUR ELECTRIC CIRCUIT

You will need:

- 1 motor
- 1 switch
- 1 battery holder
- 1 battery connector
- 2 cells
- 3 crocodile leads

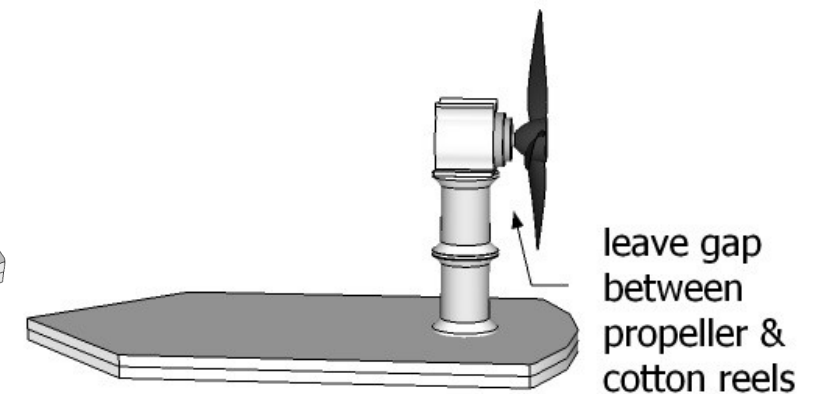
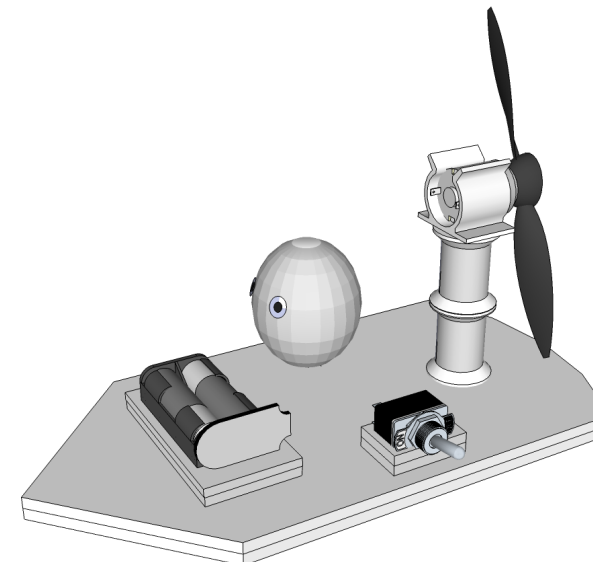
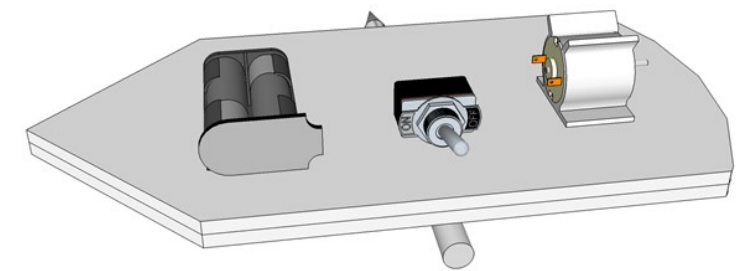


BUILD YOUR BOAT

You will need:

- 1 propeller
- 2 cotton reels
- 1 motor mount
- 3 pieces of polystyrene foam
- 1 plastic bag

Make the base first. Check it balances.
Put the battery in the plastic bag to keep it dry.



Name of boat: